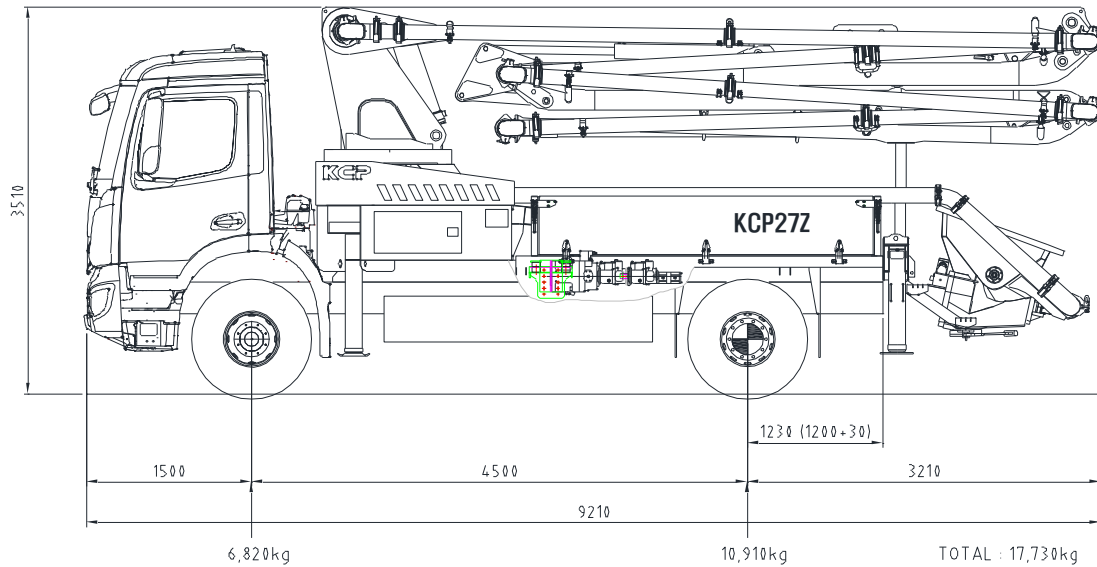


Our Pride ...

KCP27Z120



▣ Boom specifications

Vertical reach	26.3 m
Horizontal reach	22.3 m
Reach from front of truck	19.4 m
Unfolding height	6.2 m
Section articulation	91°/180°/240°/245°
Rotation	370°
Delivery line	125 mm
Proportional boom	Yes
End hose length	3.0 m
Outrigger spread-front	5.8 m
Outrigger spread-rear	3.8 m
Max. outrigger weight	13,500 kg

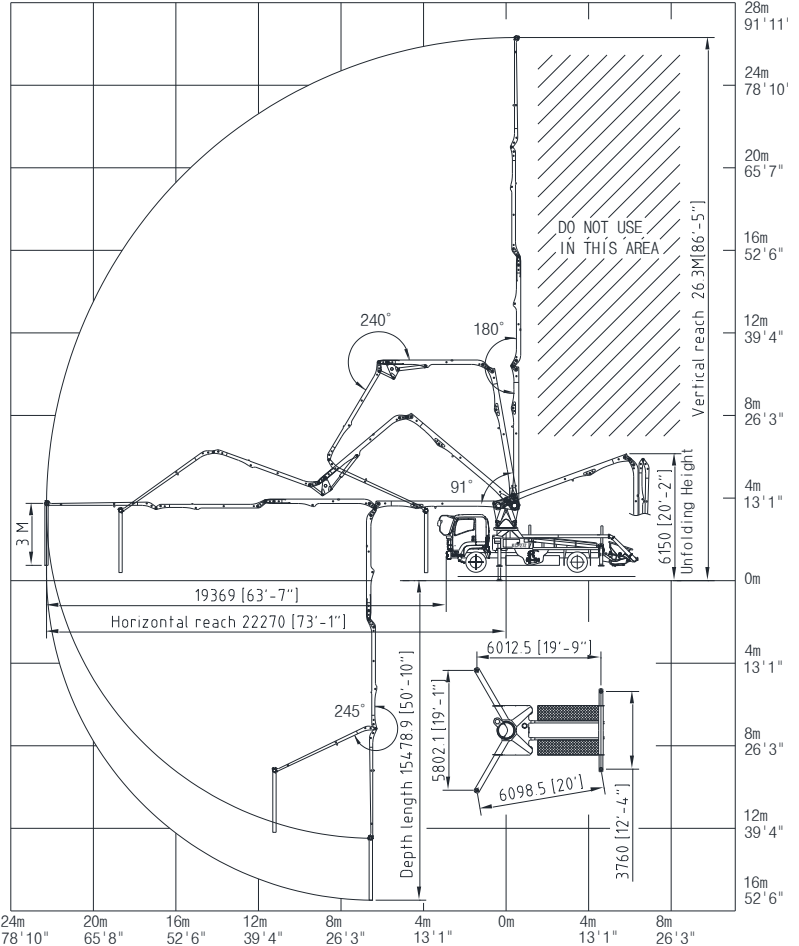
⊙ Truck specifications : Mercedes BENZ1833

⊙ Maximum theoretical values listed.

⊙ Photos and drawings are for illustrative purpose only

⊙ Right to make technical amendments reserved

▣ Working diagram



▣ Pump specifications

Maximum output	120 m³/h
Concrete cylinder	Ø230×1400mm
Stroke per minute	30
Concrete pressure	69 bar
Hopper capacity	0.6 m³
S-tube	Ø200×Ø180
Hydraulic pump	Rexroth A11VLO190
Cycling system	Hydraulic with manual overrides
Max. aggregate size	40 mm