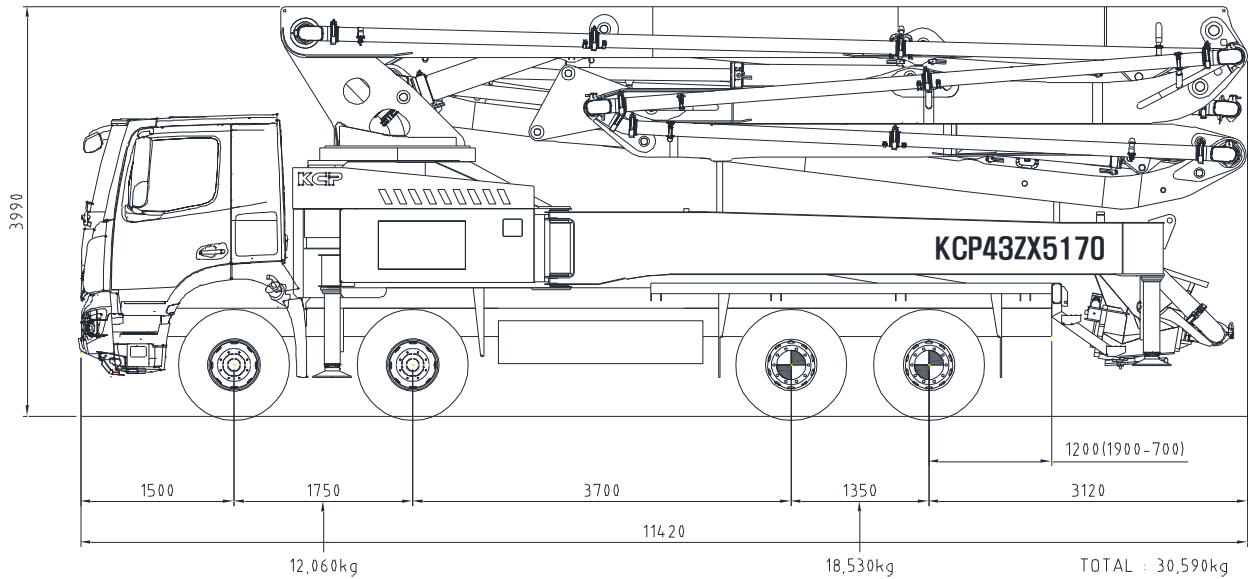


Our Pride ...

KCP43ZX5170

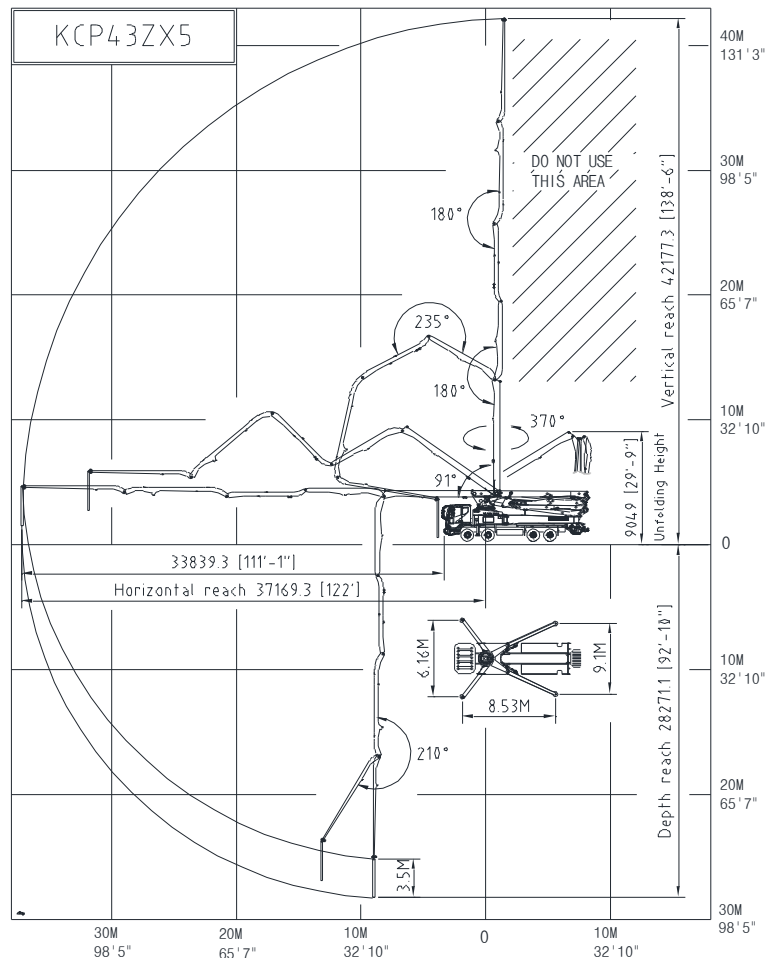


▣ Boom specifications

Vertical reach	42.2 m
Horizontal reach	37.2 m
Reach from front of truck	33.8 m
Unfolding height	9.0 m
Section articulation	91°/180°/235°/180°/210°
Rotation	370°
Delivery line	125 mm
Proportional boom	Yes
End hose length	3.5 m
Outrigger spread-front	6.2 m
Outrigger spread-rear	9.1 m
Max. outrigger weight	27,000kg

- ◎ Truck specifications : Mercedes BENZ3243
- ◎ Maximum theoretical values listed.
- ◎ Photos and drawings are for illustrative purpose only
- ◎ Right to make technical amendments reserved

▣ Working diagram



▣ Pump specifications

Maximum output	170m³/h
Concrete cylinder	Ø230×2100
Stroke per minute	33
Concrete pressure	87 bar
Hopper capacity	0.6 m³
S-tube	Ø200×Ø180
Hydraulic pump	Rexroth A20VLO190
Cycling system	Hydraulic with manual overrides
Max. aggregate size	40 mm