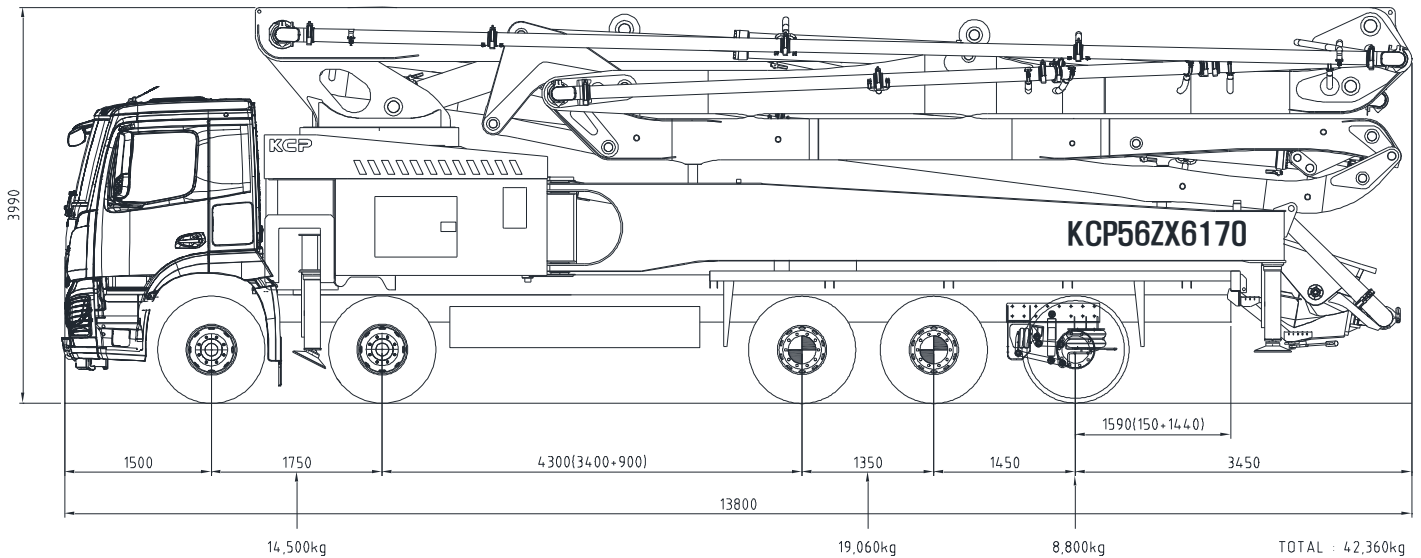


Our Pride ...

KCP56ZX6170

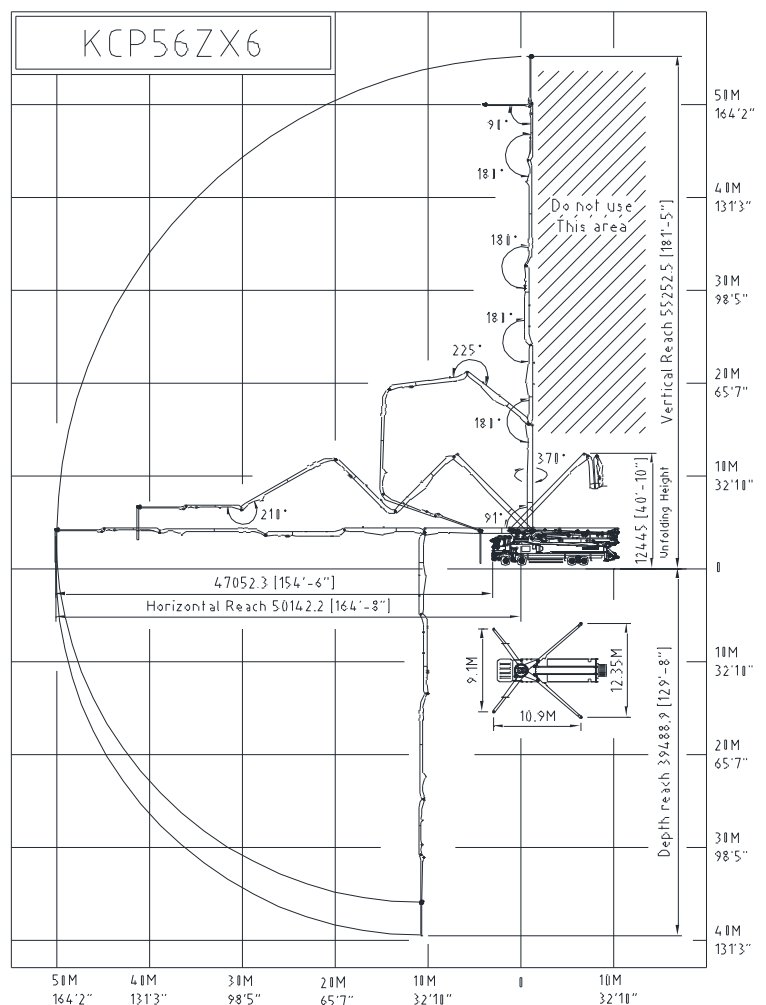


▣ Boom specifications

| | |
|---------------------------|-----------------------------|
| Vertical reach | 55.3 m |
| Horizontal reach | 50.1 m |
| Reach from front of truck | 47.1 m |
| Unfolding height | 12.4 m |
| Section articulation | 91°/180°/225°/180°/210°/90° |
| Rotation | 370° |
| Delivery line | 125 mm |
| Proportional boom | Yes |
| End hose length | 3.5 m |
| Outrigger spread-front | 9.1 m |
| Outrigger spread-rear | 12.4 m |
| Max.outrigger weight | 40,000kg |

- ◎ Truck specifications: Mercedes BENZ 5046 (460PS, EURO6)
- ◎ Maximum theoretical values listed.
- ◎ Photos and drawings are for illustrative purpose only
- ◎ Right to make technical amendments reserved

▣ Working diagram



▣ Pump specifications

| | |
|---------------------|---------------------------------|
| Maximum output | 170 m³/h |
| Concrete cylinder | Ø230×2100 |
| Stroke per minute | 33 |
| Concrete pressure | 87 bar |
| Hopper capacity | 0.6 m³ |
| S-tube | Ø220×Ø180 |
| Hydraulic pump | Rexroth A20VLO190 |
| Cycling system | Hydraulic with manual overrides |
| Max. aggregate size | 40 mm |