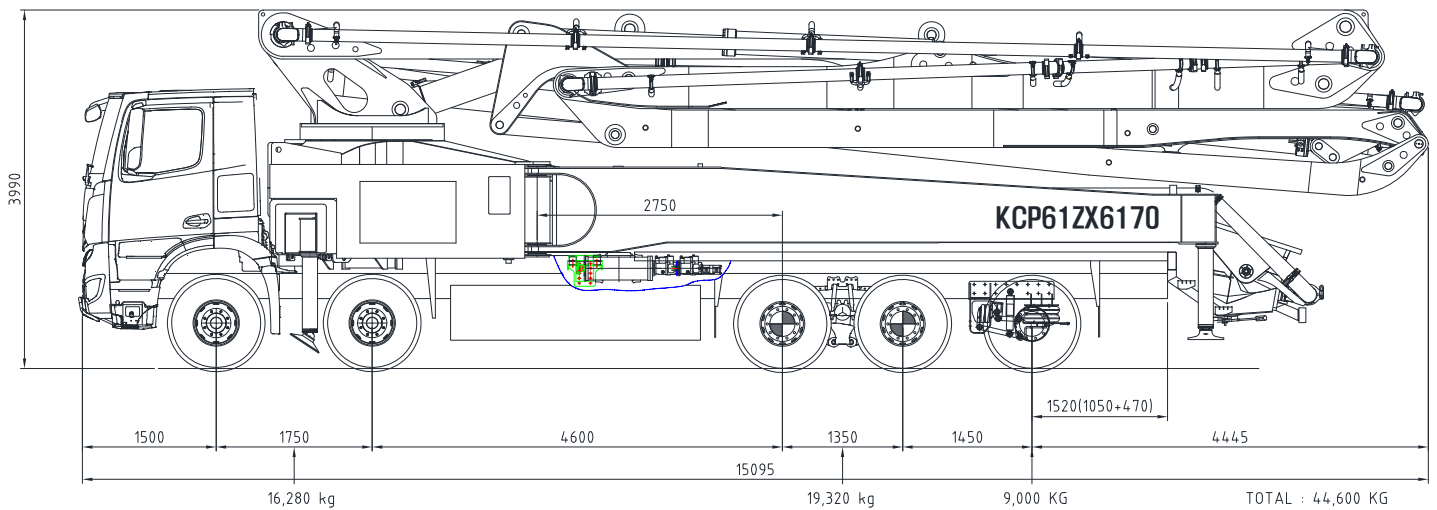


Our Pride ...

# KCP61ZX6170

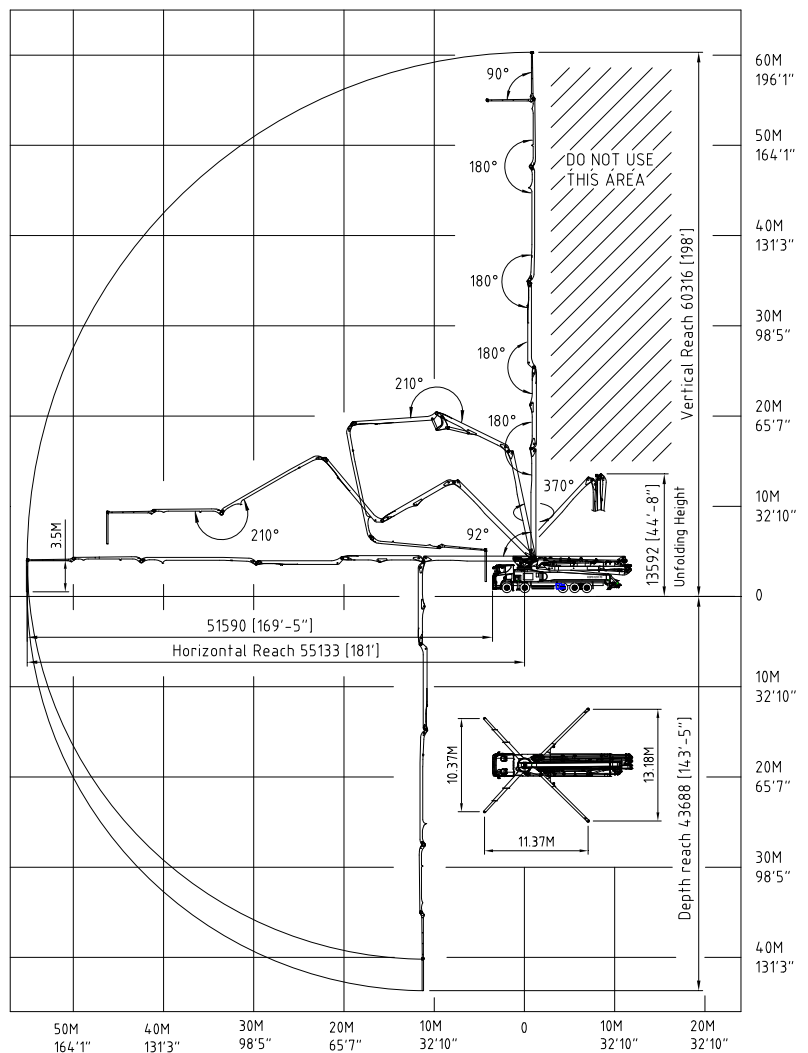


## Boom specifications

Vertical reach	60.3M
Horizontal reach	55M
Reach from front of truck	51.5M
Unfolding height	13.6M
Section articulation	92°/180°/210°/180°/210°/90°
Rotation	370°
Delivery line	125 mm
Proportional boom	Yes
End hose length	3.5M
Outrigger spread-front	10.4 M
Outrigger spread-rear	13.2 M
Max. outrigger weight	42,500kg

- ⊙ Truck specifications : Mercedes Benz 5051 (510PS, EURO6)
- ⊙ Maximum theoretical values listed.
- ⊙ Photos and drawings are for illustrative purpose only
- ⊙ Right to make technical amendments reserved

## Working diagram



## Pump specifications

Maximum output	170 m³/h
Concrete cylinder	Ø230×2100
Stroke per minute	33
Concrete pressure	87 bar
Hopper capacity	0.6 m³
S-tube	Ø200×Ø180
Hydraulic pump	Rexroth A20VLO190
Cycling system	Hydraulic with manual overrides
Max. aggregate size	40 mm